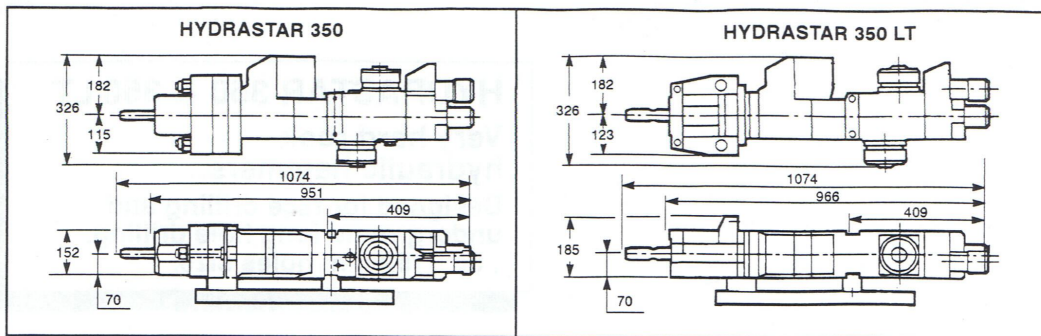


Marteau Hydarstar 350



WORKING PARAMETERS

PERCUSSION	Oil pressure	160 - 200 bar	ROTATION	Oil pressure	175 - 210 bar
	Oil flow	100 l/min.		Oil flow	35 l/min.
	Energy per blow	Adjustable up to 350 joule		Rotation speed	0.....300 rpm
	Impact rate	2000.....3600 blows per min.		Torque	36 - 55 m daN

TECHNICAL DATA

Weight 350 series 140 kg
 350 LT series 155 kg
 Impact power 16 - 18 kW
 Noise level 100 dB (A)
 Water flushing pressure 12 bar*
 Water flushing consumption 25 l/min*
 Lubrication air consumption 150 l/min
 *For the Hydarstar 350 LT series, water pressure and consumption depending on drilling diameter and hole depth, please consult us.

The Hydarstar 350 series hammer can be used with the face drilling drill feed type CC 2500 or telescopic CTEV.
 The Hydarstar 350 LT series hammer can be used with the long hole drilling drill feed type GSL 2100.

HYDRAULIC

Hoses

Percussion supply and return Module 12 (3/4")
 high strength, SAE 100 R 9 mini
 Rotation, supply and return Module 10 (5/8")
 high strength, SAE 100 R 9 mini
 Rotation drain, water, lubrication Module 6 (3/8")
 wire braid, SAE 100 R 2 A

Connections

Percussion, supply and return JIC 1" 1/16
 Rotation, supply and return JIC 7/8"
 Rotation drain case JIC 9/16"
 (0.5 bar maxi pressure)
 Water JIC 9/16"
 Lubrication JIC 9/16"

Applications	Hole dia. range	Most common rods	Shank	Hydarstar model
Drifting and tunnelling · Charged holes · Cut holes	38 - 43	R 38 - Hex 32 - R 28	R 38	350 series
	43 - 51	R 38 - Hex 32/35 - R 32	R 38	350 series
	127	R 38 - Hex 32 - R 28 + bit adaptor R 28/R 32	R 38	350 series
	152	R 38 - Hex 32/35 - R32 + bit adaptor R 32/R 38	R 38	350 series
Long hole drilling	64 - 76	R 38 - Round 39 - R 38	R 38	350 LT series
	64 - 76	T 38 - Round 39 - T 38	T 38	350 LT series
	64 - 76	T 38 - MF Rod 39 - T 38	T 38	350 LT series

SECOMA reserves the right to change specification and / or design at any time without notice

SECOMA

FT 93 104 10/93

SECOMA

19, Avenue de Lattre de Tassigny
 B.P.46 - 69 881 Meyzieu Cédex
 Tel.72.02.60.00
 Telex: 300526 - Telefax: 7831 7980

© 1993 by SECOMA- litho in France-r.c.Lyon 55 B 915