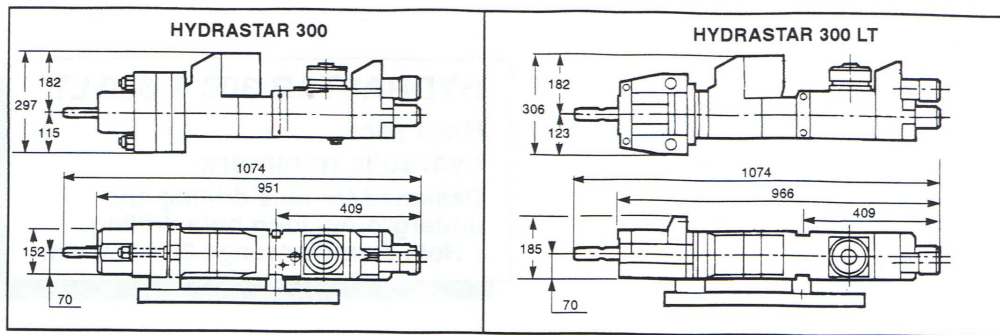


Marteau Hydrastar 300



WORKING PARAMETERS

PERCUSSION	Oil pressure	160 - 180 bar	ROTATION	Oil pressure	175 - 210 bar
	Oil flow	80 l /min.		Oil flow	35 l /min.
	Energy per blow	Adjustable up to 330 joule		Rotation speed	0.....300 rpm
	Impact rate	2000.....3300 blows per min.		Torque	36 - 42 m daN

TECHNICAL DATA

Weight 300 series 137 kg
 300 LT series 152 kg
 Impact power 14 - 16 kW
 Noise level 103 dB (A)
 Water flushing pressure 12 bar*
 Water flushing consumption 25 l/min*
 Lubrication air consumption 150 l/min
 *For the Hydrastar 300 LT series, water pressure and consumption depending on drilling diameter and hole depth, please consult us.

The Hydrastar 300 series hammer can be used with the face drilling drill feed type CC 2500 or telescopic CTEV.
 The Hydrastar 300 LT series hammer can be used with the long hole drilling drill feed type GSL 2100.

HYDRAULIC

Hoses

Percussion supply and return Module 12 (3/4")
 high strength, SAE 100 R 9 mini
 Rotation, supply and return Module 10 (5/8")
 high strength, SAE 100 R 9 mini
 Rotation drain, water, lubrication Module 6 (3/8")
 wire braid, SAE 100 R 2 A

Connections

Percussion, supply and return JIC 1"1/16
 Rotation, supply and return JIC 7/8"
 Rotation drain case JIC 9/16"
 (0.5 bar maxi pressure)
 Water JIC 9/16"
 Lubrication JIC 9/16"

Applications	Hole dia. range	Most common rods	Shank	Hydrastar model
Drifting and tunnelling · Charged holes · Cut holes	38 - 43	R 38 - Hex 32 - R 28	R 38	300 series
	43 - 51	R 38 - Hex 32/35 - R 32	R 38	300 series
	127	R 38 - Hex 32 - R 28 + bit adaptor R 28/R 32	R 38	300 series
	152	R 38 - Hex 32/35 - R32 + bit adaptor R 32/R 38	R 38	300 series
Long hole drilling	64 - 76	R 38 - Round 39 - R 38	R 38	300 LT series
	64 - 76	T 38 - Round 39 - T 38	T 38	300 LT series
	64 - 76	T 38 - MF Rod 39 - T 38	T 38	300 LT series

SECOMA reserves the right to change specification and / or design at any time without notice

SECOMA

FT82 111 07/93

SECOMA

19, Avenue de Lattre de Tassigny
 B.P.46 - 69 881 Meyzieu Cédex
 Tél.72.02.60.00
 Telex: 300526 - Telefax: 7831 7980
 1993 by SECOMA- litho in France-r.c.Lyon 55 B 915