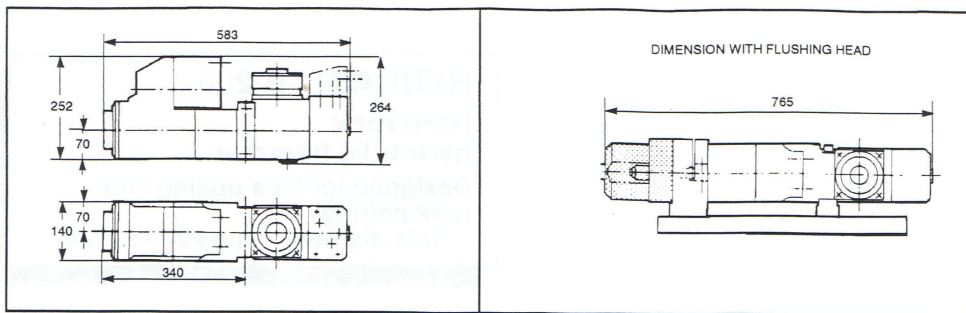


# Marteau Hydrastar 200



## WORKING PARAMETERS

<b>PERCUSSION</b>	Oil pressure	160 - 200 bar	<b>ROTATION</b>	Oil pressure	175 - 210 bar
	Oil flow	50 l/min.		Oil flow	35 l/min.
	Energy per blow	Adjustable up to 150 joule		Rotation speed	0.....300 rpm
	Impact rate	2000.....4000 blows per min.		Torque	36 - 42 m daN

## TECHNICAL DATA

Weight ..... 115 kg  
 Impact power ..... 5 to 11 kW  
 Noise level ..... 103 dB (A)  
 Water flushing pressure ..... 12 bar  
 Water flushing consumption ..... 25 l/min  
 Lubrication air consumption ..... 100 l/min

The Hydrastar 200 series hammer can be used  
 .with the face drilling drill feed type CC 2500 or telescopic CTEV.  
 .with the bolting turret type TUI 2 or TUI C.

## HYDRAULIC

### Hoses

Percussion supply and return ..... Module 12 ( 3/4" )  
 high strength, SAE 100 R 9 mini  
 Rotation, supply and return ..... Module 10 ( 5/8" )  
 high strength, SAE 100 R 9 mini  
 Rotation drain, water, lubrication ..... Module 6 ( 3/8" )  
 wire braid, SAE 100 R 2 A

### Connections

Percussion, supply and return ..... JIC 1"1/16"  
 Rotation, supply and return ..... JIC 7/8"  
 Rotation drain case ..... JIC 9/16"  
 ( 0.5 bar maxi pressure )  
 Water ..... JIC 9/16"  
 Lubrication ..... JIC 9/16"  
 \* JIC 7/8" for bolting version

Applications	Hole dia. range	Most common rods	Shank adapter
Drifting and tunnelling . Charged holes  . Cut holes	35 - 41	R 25 - Hex 25 - R 25 / R 32	R 32
	35 - 41	R 25 - Hex 25 / 28 - R 32	R 38
	38 - 41	R 28 - Hex 28 - R 32	R 38
	76	R 25 - Hex 25 - R 25	R 32
	89	+ bit adaptor R 25 / R 32 R 28 - Hex 28 - R 32	R 32 / R 38
Rock bolting	27 - 30	Threaded integral Hex 22 - R 25	Female R 25
	32 - 38	Threaded integral Hex 25 - R 28 / R 32	Female R 28 / R 32
	35 - 45	R 25 - Hex 25 - R 25	Female R 25
	35 - 45	R 28 - Hex 28 - R 25 / R 28	Female R 25 / R 28
	35 - 45	R 28 - Hex 25 - R 32	Female / Male R 32

SECOMA reserves the right to change specification and / or design at any time without notice

# SECOMA

FT83 115 07/93

## SECOMA

19, Avenue de Lattre de Tassigny  
 B.P.46 - 69 881 Meyzieu Cédex  
 Tel.72.02.60.00  
 Telex: 300526 - Telefax: 7831 7980  
 1993 by SECOMA- litho in France-r.c.Lyon 55 B 915