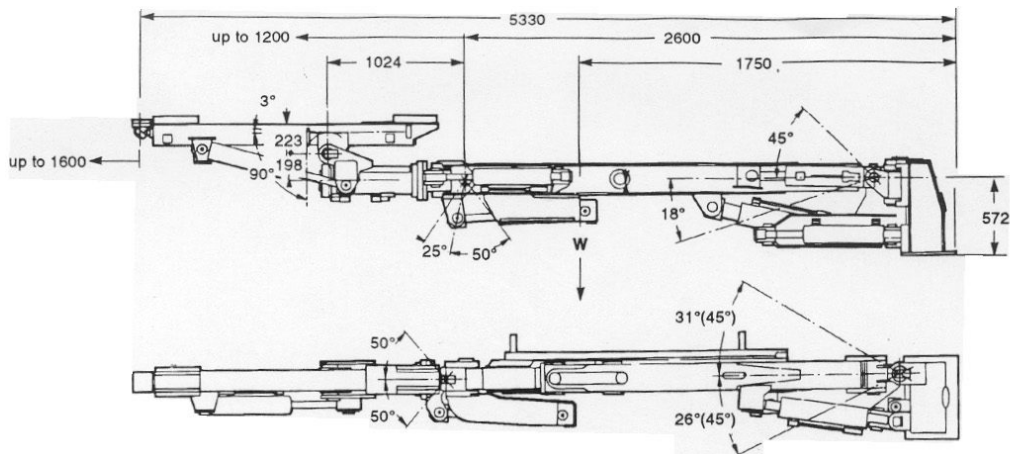
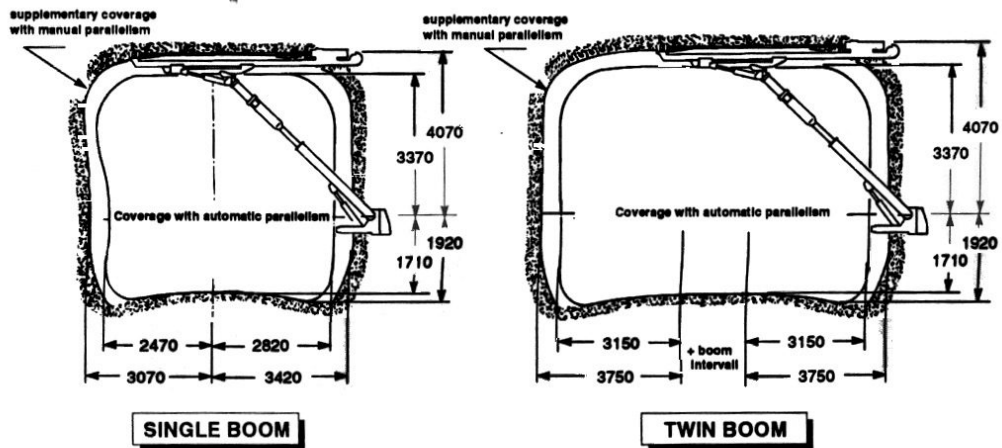


Bras B26F Tamrock Secoma



COVERAGE AREAS



TECHNICAL DATA

Weight, without hoses.....	1850 kg
Max. weight allowed.....	950 kg
Coverage area (one boom).....	39 m ²
Overall length.....	5330 mm
Hydraulic system.....	210 bar
Oil flow required.....	16 l/min
Boom mounting plate, w x h.....	318 x 480 mm

APPLICATIONS

The B 26 F boom can be used with the following equipments:

Hammers.....	Hydrastar 300
	Hydrastar 350
Drill feeds.....	CC 2510 (EV)-2512 (EV)-2514 (EV)
	CTEV 7.12 - 8.14
Jumbos.....	MERCURY - PLUTON 17 (Twin boom)

SECOMA reserves the right to change specification and / or design at any time without notice

SECOMA

FT 87 100 09/93

SECOMA

19, Avenue de Lattre de Tassigny
 B.P.46 - 69 881 Meyzieu Cédex
 Tel.72.02.60.00
 Telex: 300526 - Telefax: 7831 7980
 1993 by SECOMA- litho in France-r.c.Lyon 55 B 915